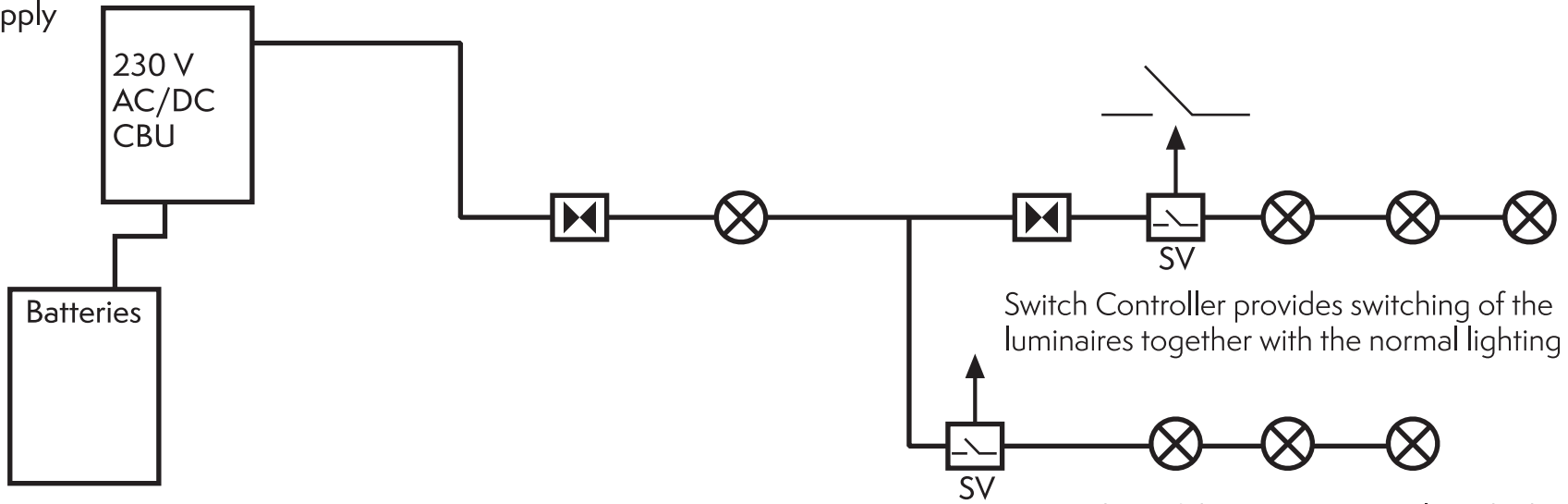


mains supply



⊗ = non-maintained luminaire

◻◄◻ = maintained exit luminaire

SV ◻◻ = Switch Controller

Switch Controller provides switching of the luminaires together with the normal lighting

Depending of the type, in normal mode the power is taken either from the CBU or from a switch input